

## Technical Characteristics

### INS/OUTS

4x3G/HD/SD SDI Ins (1920,1280,525,625 auto sense)  
4x3G/HD/SD SDI Outs  
1xLTC In (symmetrical)  
1xRJ45 1000base\_T Ethernet

### DIGITAL PROC AMP (YUV)

Y Lift -150/+150mV from nominal  
Cb/Cr lift ±150mV from nominal  
Y Gain +50% to +200%  
Cb/Cr Gain +0% to +200%  
Hue ±180°  
Y Black Clip -50/+50mV from nominal  
Y Black Knee +100/-0mV from Black Clip  
Y White Clip 760/650mV  
Y White Knee -100/+0mV from White Clip  
Cb/Cr Clip 150/50%

### LEGALIZER

100% removal of illegal colors (if longer than 4 pixels)

### COLOR CORRECTOR (RGB)

RGB Black -700/+1440mV from nominal  
RGB Peak level -700/+1440mV from nominal  
RGB Gamma equivalent to input gamma of +1.0 to 2.8  
RGB Black Clip -50/+50mV from nominal  
RGB Black Knee +100/-0mV from Black Clip  
RGB White Clip 760/650mV  
RGB White Knee -100/+0mV from White Clip

### TIMING & CROPPING

H Crop 0 to +half video line (linear edges)  
V Crop 0 to +half video field

### DIMENSIONS (FIG)

44mm (H) x 205mm (W) x 325mm (L)  
Rack mounting with RM1 option (2 units in 1RU)

### WEIGHT

3.5kg (without power supply)

### POWER

PEACH comes with an external 100-240V power supply  
Optional redundant power supply (RPSU-P)  
Power consumption: less than 35W

All specifications of this brochure are subject to change without notice. They are given for information only

## ORDERING INFORMATION

**PEACH** Universal 3G UHD-HD-SD SDI to 3G UHD-HD-SD SDI  
External 12V Power Supply

**CO1309** Single channel (3G, HD, SD) RGB/YUV Color Corrector and Legalizer

**CO1319** Dual channel (3G, HD, SD) RGB/YUV Color Corrector and Legalizer

**CO4003** Single channel 4K UHD RGB/YUV Color Corrector and Legalizer

**RC-CO** Remote control for Color Correction

**RM1** Rack mounting mechanics for 1 or 2 PEACH modules

**RPSU-P** Redundant & Hot Swap external Power 12V Supply

Doc 2016-0--COCO-V8.00

# COLOR CONTROL

Software solutions developed on PEACH hardware platform

**Full Color Corrector (Single Channel)**  
CO1309 (3G-HD-SD) on PEACH

**Full Color Corrector (Dual Channel)**  
CO1319 (3G-HD-SD) on PEACH

**Full Color Corrector (Single Channel)**  
CO4003 (4k UHD on 4 x 3G I/O) on PEACH

**Additional Control unit**  
RC-CO



# VT3



RC CO

# PEACH

Video 'computer' designed for 3G, HD, SD SDI  
Quad 3G, HD, SD SDI Inputs with Bypass relay  
3G, HD, SD SDI Outputs (ASI capable)  
Internal SATA SSD disks  
1G Ethernet connection  
USB  
Field upgradable firmware from USB key  
Redundant Power Supply

# COLOR CONTROL

## General functionalities

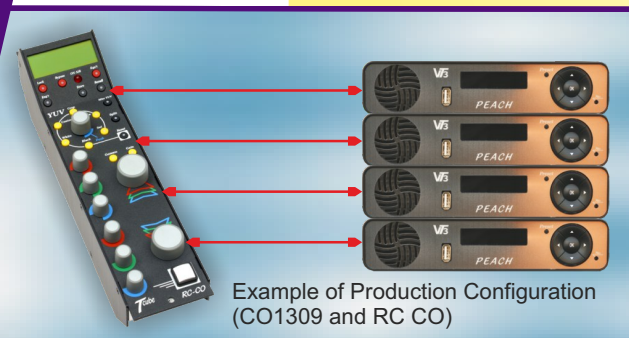
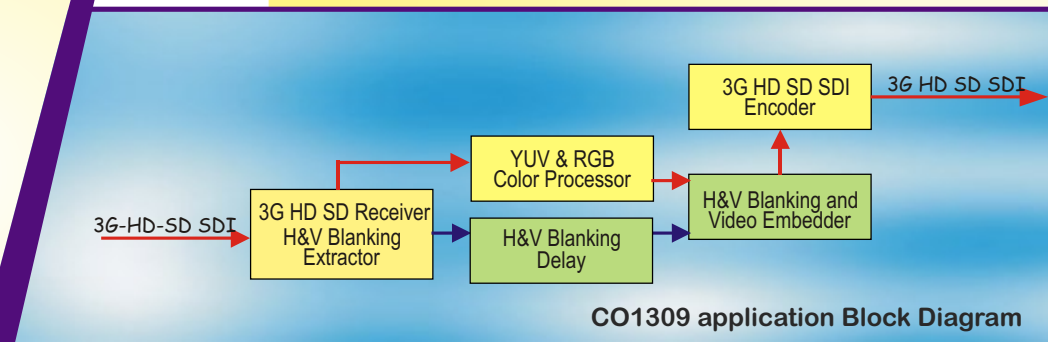
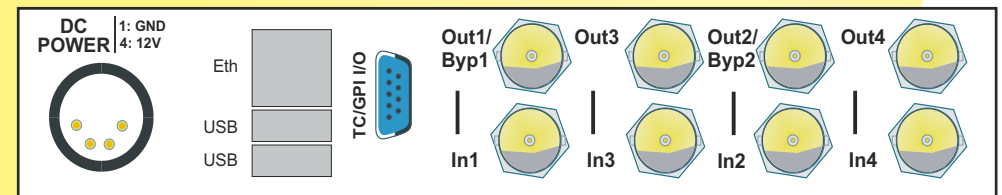
- Serial SD/HD/3G-SDI Inputs
- Serial SD/HD/3G-SDI Outputs
- UHD (4K) support using 4 x3G I/O (either 4 quadrant or 2SI)
- LTC symmetrical Input
- Total control from front panel or Tomato
- 1G baseT Ethernet network connector
- 1RU height, half 19" width (2 units in 1RU)

- RGB Color corrector (black, gain, gamma)
- Complete YUV Proc Amp plus YUV Clipping
- True False Color Legalizer with adjustable thresholds (RGB Clipper)
- H and V crop with linear edges
- Process is transparent to embedded audio and VBI
- Controls from front panel or from RC CO

## RC-CO Functionalities

- 100 baseT Ethernet network
- Internal 10/100 Ethernet switch with 4 external ports
- Graphics LCD display
- Camera style mechanics
- Direct access to all functions of Color Correctors
- Direct access to all devices on network

# PEACH



# VT3